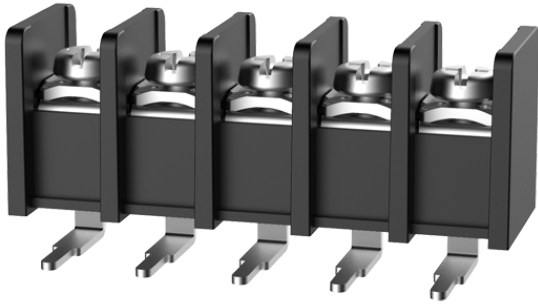


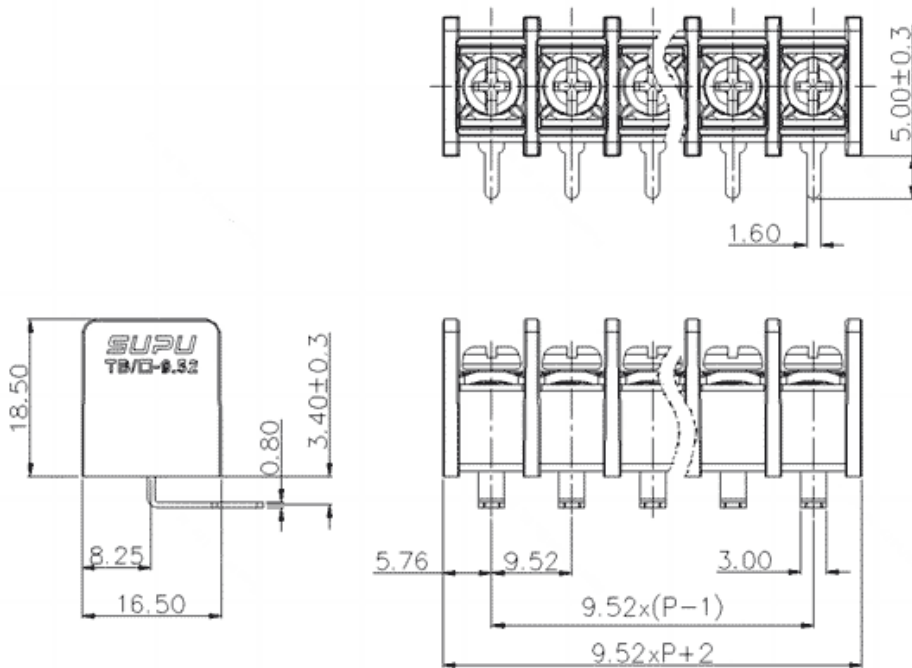
Product Type: Barrier terminal

Product Name: TB-C5-  
9.52HXC-50-001



Product Description: pitch : 9.52mm, rated voltage IEC630V, rated current IEC32A, color: black, Rated cross section 22-12AWG

### Product Size



### Parameters

☞ SUPU ID	TB C5-9.52H02C-50-001
☞ Pitch	9.52
☞ Number of levels	Single layer
☞ Number of connections	XX

☞ Connection method	Screw connection
☞ Protection Level	IP20
☞ Operating temperature range	-40°C ~+105°C
☞ Insulation material	PA66
☞ Insulation material group	I
☞ Contact material	Copper alloy
☞ Contact plating	Sn plated

## Commercial data

☞ Order No	TB C5-9.52H02C-50-001
------------	-----------------------

### Ningbo SUPU Electronics Co., Ltd.

Address: No. 150, Xinxing 4th Road, High-tech Industrial Development Zone,  
Cixi City, Zhejiang Province, China

Zip code: 315303

Switchboard: +86 574-63288158

Fax: +86 574-63288170

E-mail:supucontact@supu.cn

Service Hotline: 400-626-6336



Wechat

